



COMBiLiFT

Customised Handling Solutions

COMBi[®]-CBE

Compact multi-directional electric forklift



- > Handles Palletised & Long Loads
- > Operates Indoors & Outdoors

www.COMBiLiFT.com

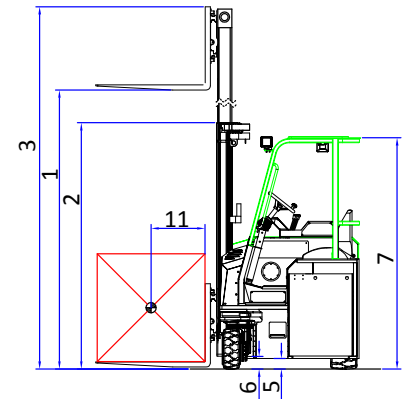


SPECIFICATIONS

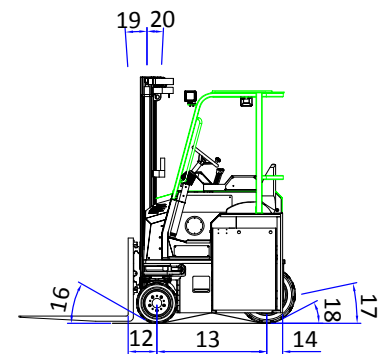
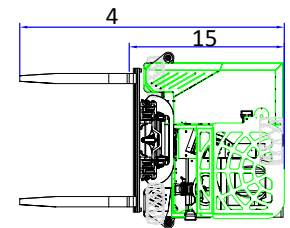
COMBi[®]-CBE

Protected by Design Registration Copyright: *European Community No.: 000725668-0001 | US No.: D579, 624 | Canadian No.: 123292 | Australian No.: 318370 | Russian Federation No.: 70814 | Korean No.: 30-0516087 | Japanese No.: 1330896 | Taiwan No.: D126056 | Chinese No.: ZL200730329732.6*

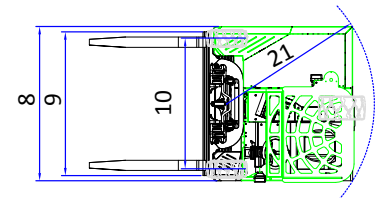
Ref.	MACHINE SPECIFICATIONS	STD	OPTION		
1 a	Max. Lift Height	4000mm	4900mm	5500mm	6000mm
1 b	Free Lift Height	0mm	1318mm	1518mm	1718mm
2	Height Mast Closed	2670mm	2243mm	2443mm	2643mm
3	Max. (Mast raised)	4850mm	5778mm	6378mm	6878mm
4	Overall Length		2565mm		
5	Ground Clearance Under Mast		125mm		
6	Ground Clearance to Wheelbase Centre		100mm		
7	Height of Overhead Guard		2250mm		
8	Width		1500mm		
9	Outside Spread of Fork Arms		1325mm		
10	Track Front		1280mm		
11	Load Centre Distance		600mm		
12	Overhang Front		280mm		
13	Wheel Base		1070mm		
14	Overhang Back		150mm		
15	Length From Face of Fork		1500mm / 1550mm		
16	Approach Angle		30°		
17	Ramp Angle		15°		
18	Departure Angle		30°		
19	Forward Tilt		3°		
20	Backward Tilt		5°		
21	Minimum Outside Radius		1400mm		
A	Capacity		2,500 kg / 3,000 kg		
B	Unladen Weight		6500 kg / 6800 kg		
C	Maximum Ground Speed		11 Km/h		
D	Gradability		10%		
E	Battery Capacity		48v / 930Ah		
F	AC Electric Traction Motor x 2		48v / 5kW		
G	AC Electric Pump Motor		48v / 14 kW		
H	Fork Section		125 x 50 x 1065mm Long		
I	16 x 7 – 10.5 Front Tyre x 2		OD 406 / Width 178		
J	22 x 10 x 16 Rear Tyre x 1		OD 559 / Width 254		
K	Standard Colour		Green and Grey		
L	Suspension Seat		KAB Model 211		



SIDEWARD MODE



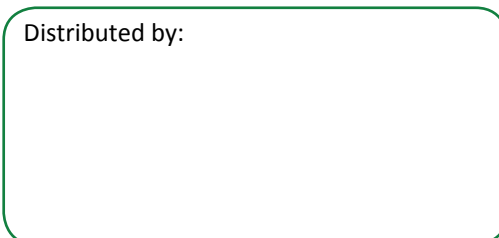
FRONTAL MODE



FEATURES INCLUDE:

- +/- 100mm side shift
- Load sensing steering
- 4-Way lever positioning of wheels
- System Communication via CAN-BUS
- Multi-direction operation
- 2 Wheel Electric Drive
- Powered by AC Technology

Distributed by:



COMBiLiFT

Co. Monaghan
Ireland

T: +353 47 80500

F: +353 47 80501

E: info@combilift.com

www.COMBiLiFT.com