

Push Pulls



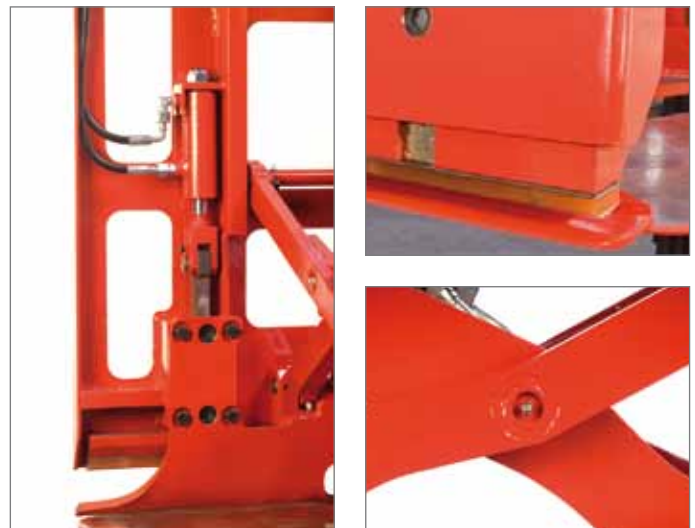
Productivity, flexibility, safety

Products of every kind are being handled on slipsheets instead of wooden pallets. Slipsheets are being used in various industries such as food, beverage, glassware, building materials, agricultural, paper, chemical, hardware and the automotive parts industry.

Bolzoni Auramo has the solution to all your slipsheet handling needs. A complete range of Push Pulls engineered and designed for today's most demanding applications. The Dedicated Push Pull for the customer using exclusively slipsheeted loads and the Easy Rider Fork-Mounted Push Pull for operations requiring slipsheets on an intermittent or part time basis.

Features:

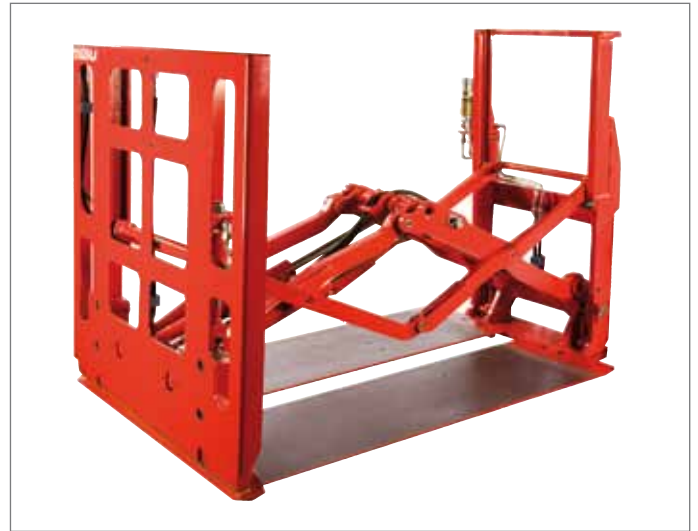
- Wide windows in the push plate and gripper jaw allows for excellent visibility in both retracted and extended positions when clamping the slip-sheet.
- 4 degrees tilting faceplate, when fully extended, helps prevent any damage to the product.
- Gripper jaw is actuated by two cylinders, assuring a perfect force distribution on the clamping bar to help prevent any damage to the slipsheet.
- Hydraulic system protected with steel cover and plastic wire wrapping.
- Pressure relief valve guarantees structure and load protection.
- The vertical position of the pad is adjustable should the pad become worn or damaged, resulting in less maintenance costs.
- Rubber-surfaced gripper bar for better slipsheet clamping.
- Pantograph actuated by two cylinders for better distribution of pushing and pulling forces.
- Grease fittings in pantograph mechanism group.
- Platens manufactured in high tensile steel, for stronger and thinner structure.
- Chamfered platen corners prevent tears in the slipsheet and damage to the product.
- Noiseless handling thanks to design optimization and end stroke shock absorber.



Easy Rider Fork-Mounted Push Pull

Ideal model for those companies where the handling of goods on slip sheets is not sufficient to justify the use of a dedicated fork lift truck.

- Thanks to an extremely quick and effective new fitting system, the Fork-Mounted Push Pull model Easy Rider offers the possibility to convert a conventional fork lift truck with forks into a specially equipped machine to handle loads on slip sheets. Increasing productivity without any compromise for safety.
- The driver just has to position the forks under the platens, tilt the mast forward, lift the carriage up, engage the upper hooks, lock the lower mounting hooks in place and connect the hydraulic couplers. These simple steps now make the Easy Rider ready for operation.
- Bolt-on platens can be adjusted to accommodate different overall widths.
- Quick disconnect lower hooks.
- ITA Class II and III mounting.

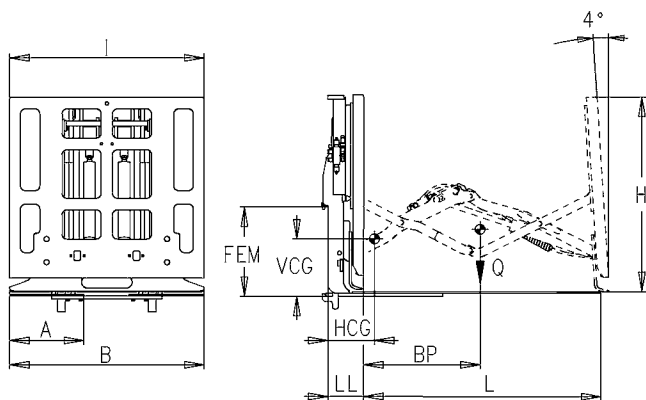


Dedicated Push Pull

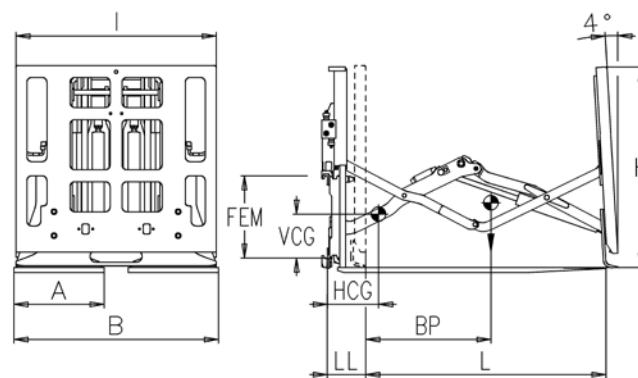
A Dedicated Push Pull enables you to handle, ship and store a wide variety of boxed, bagged, unboxed, cylindrical or rolled goods using slipsheets. The results are lower pallet costs, reduced pallet handling labor and pallet returns, and higher payloads.

- Integral sideshifting for an easier load positioning.
- Platens feature smooth Weldox 700 steel and are easily adjusted by hand or by optional hydraulics.
- More power delivered to the payload with two stronger cylinders.
- Easy installation features.
- Quick disconnect lower hooks.
- ITA Class II and III mounting.





Easy Rider Fork-Mounted Push Pull



Dedicated Push Pull

Easy Rider Fork-Mounted Push Pull

Model	Capacity	Load Centre	Platen Size	Platen Out-to-Out	Push Plate	Thickness	Minimum Carriage Width	Horizontal Centre of Gravity	Vertical Centre of Gravity	Weight	Mounting Class
	Q kg	BP mm	A x L mm	B mm	I x H mm	LL mm	FL mm	HCG mm	VCG mm	W Kg	ISO 2328
TZ 16 A6X	1600	600	380x1220	860	1000x1010	195	855	240	295	350	2 A
TZ 16 B6X	1600	600	380x1220	994	1000x1010	195	855	240	295	350	2 A
TZ 20 A6X	2000	600	380x1220	860	1000x1010	195	855	245	300	360	2 A
TZ 20 B6X	2000	600	380x1220	994	1000x1010	195	855	245	300	360	2 A
TZ 20 A6XB	2000	600	380x1220	860	1000x1010	226	915	254	310	386	3 A
TZ 20 B6XB	2000	600	380x1220	994	1000x1010	226	915	254	310	386	3 A

Dedicated Push Pull

Model	Capacity	Load Centre	Platen Size	Platen Out-to-Out	Push Plate	Thickness	Horizontal Centre of Gravity	Vertical Centre of Gravity	Weight	Mounting Class	
	Q Lbs	BP mm	A x L mm	B mm	I x H mm	LL mm	HCG mm	VCG mm	W Kg	ISO 2328	
Non-Sideshifting with Adjustable Platens, 1 Function											
PA NH 035 A1548	1600	600	380x1200	865-1065	1000x1010	190	292	210	518	2 A	
PA NH 045 A1548	2000	600	380x1200	865-1065	1000x1010	190	295	215	520	2 A	
PA NH 045 B1548	2000	600	380x1200	865-1065	1000x1010	239	318	257	587	3 A	
Sideshifting with Adjustable Platens, 2 Functions											
PA SH 035 A1548	1600	600	380x1200	865-1065	1000x1010	190	291	209	520	2 A	
PA SH 045 A1548	2000	600	380x1200	865-1065	1000x1010	190	294	214	522	2 A	
PA SH 045 B1548	2000	600	380x1200	865-1065	1000x1010	239	318	254	589	3 A	
Non-Sideshifting with Hydraulically Adjustable Platens, 2 Functions (includes single solenoid valve)											
PH NH 035 A1548	1600	600	380x1200	865-1065	1000x1010	190	288	211	531	2 A	
PH NH 045 A1548	2000	600	380x1200	865-1065	1000x1010	190	297	216	533	2 A	
PH NH 045 B1548	2000	600	380x1200	865-1065	1000x1010	239	320	257	600	3 A	
Sideshifting with Hydraulically Adjustable Platens, 3 Functions (includes single solenoid valve)											
PH SH 035 A1548	1600	600	380x1200	865-1065	1000x1010	190	287	209	534	2 A	
PH SH 045 A1548	2000	600	380x1200	865-1065	1000x1010	190	290	214	536	2 A	
PH SH 045 B1548	2000	600	380x1200	865-1065	1000x1010	239	320	254	603	3 A	

Notes:

(for Easy Rider Fork-Mounted Push Pull only)

- One hydraulic function.
- Pressure relief valve.
- Adjustable bolt-on platens, to fit two different overall widths.
- Important: Easy Rider must be hooked on the carriage and supported by forks of suitable capacity.

Notes:

(for Dedicated Push Pull only)

- Various platen sizes.
- Extended push plate widths and heights.
- Bronze pads for sideshift.

