

Rotators

RC



The Bolzoni Auramo RC model rotator is suitable for all applications where the working cycles require load rotation or emptying of containers.

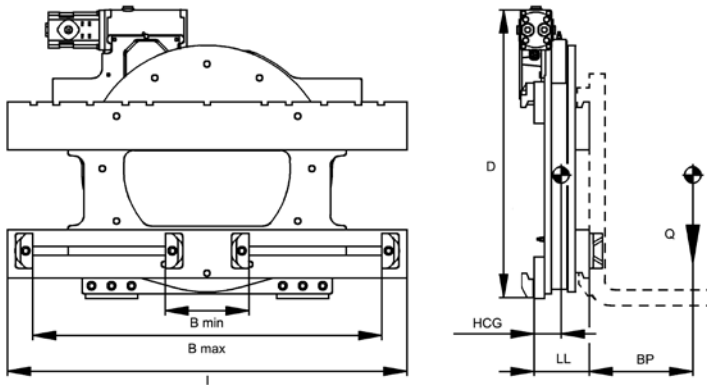
A variety of applications can be found in metallurgical, chemical, automotive, recycling, waste disposal and in food processing operations.

A wide range of capacities ensures that the correct and most-effective unit is selected for every application.

Features:

- 360-degree rotator with ISO-2328 castellated fork carriage for easy and fast forks positioning. Continuous rotation both ways.
- Safe, easy and fast forks mounting and positioning thanks to new fork fixing system.
- Open centre design and minimized overall dimensions ensure excellent visibility.
- Motor-gear on the right side grants optimal visibility.
- High efficiency hydraulic motor with reduced displacement gives increased speed and high rotation torque with lower use of oil.
- Less maintenance thanks to reduced wear of components.





Range: 1500 Kg - 10000 Kg

- 360-degree rotator with ISO-2328 fork carriage for all applications requiring rotation. Commonly used in industries where the working cycles require rotation or emptying of boxes or containers.
- Fork carriage welded to the rotating frame.
- Fast and high-torque rotation.
- Continuous rotation both ways.
- Open centre design, and minimized overall dimensions, ensure excellent visibility.
- New fork fixing system grants safe and easy fork positioning.
- Motor-gear box on the right (driver side) provides optimal visibility.
- Double scraper to protect the bearing.

Model	Capacity	Load Centre	Fork Carriage Width	Opening Inside Forks	Opening Outside Forks	Weight	Horizontal Centre of Gravity	Thickness	Height	Max. Torque	Rotation Speed "rpm"	Mounting Class
	Q kg	BP mm	I mm	B min. mm	B max. mm	W Kg	HCG mm	LL mm	D mm	CN kg/mt	DC ① giri/min.	ISO 2328
RC 15 X7A	1.500	500	740	178	626	163	74	142	722	618	4,4	2 A
RC 15 10A	1.500	500	980	178	866	167	74	142	722	618	4,4	2 A
RC 20 X7A	2.000	500	740	178	626	166	76	142	722	618	4,4	2 A
RC 20 10A	2.000	500	980	178	866	170	76	142	722	618	4,4	2 A
RC 25 10A	2.500	500	980	178	866	183	76	142	744	837	4,4	2 A
RC 25 107A	2.500	500	1.070	178	956	185	76	142	744	837	4,4	2 A
RC 25 120A	2.500	500	1.200	178	1.086	195	76	142	744	837	4,4	2 A
RC 25 15A	2.500	500	1.500	178	1.386	225	76	142	744	837	4,4	2 A
RC 35 11B	3.500	500	1.150	245	1.001	307	83	159	860	1.227	5,4	3 A
RC 35 14B	3.500	500	1.400	245	1.251	316	83	159	860	1.227	5,4	3 A
RC 35 15B	3.500	500	1.550	245	1.401	326	86	159	860	1.227	5,4	3 A
RC 40 11B	4.000	500	1.150	245	1.001	312	91	159	860	1.227	5,4	3 A
RC 40 13B	4.000	500	1.350	245	1.201	325	92	159	860	1.227	5,4	3 A
RC 45 12B	4.500	500	1.250	245	1.095	318	92	159	860	1.227	5,4	3 A
RC 45 15B	4.500	500	1.550	245	1.395	365	85	159	860	1.227	5,4	3 A
RC 55 17C	5.500	500	1.740	277	1.573	585	103	186	1117	2.023	3,1	4 A
FG 70 17 C	7.000	600	1.740	277	1.573	770	115	186	1056	1.500	3,5	4 A
FG 100-17C ②	10.000	600	1.740	160	1.580	830	140	245	960	2.943	2,2	4 A
FG 100-18C ②	10.000	600	1.850	160	1.690	850	140	245	960	2.943	2,2	4 A
FG 100-22D ②	10.000	600	2.200	240	1.960	1380	190	290	960	2.943	2,2	5 A

Notes:

- One hydraulic function.
- Rotators are delivered without forks. The majority of lift truck forks can be used without any modifications.
- Forks are available on request, please consult Bolzoni.
- The lower hooks of the forks must be capable of carrying the rotators rated capacity.
- ① Rotation speed with recommended oil flow rate.
- ② Models FG100 with double reduction unit motor.
- For lift truck with a very low oil flow it is advisable to fit a double pilot check valve to the motor unit inlet.
- If the lift truck connection pressure exceeds the maximum operating pressure, separate pressure relief valves are required.

Options:

- Other fork carriage widths available, please consult Bolzoni.
- ISO 2328 Separate sideshifting mounting.
- ISO 2328 Lower Quick Disconnect Hooks.
- Pressure relief valve for one hydraulic function. Choose this option if the lift truck hydraulic pressure exceeds the maximum connection pressure of the attachment.
- Rotation stop at 180° with hydraulic dumper.
- Side support fork arm.
- Hydraulic motors with different displacement to vary rotation speed.
- Special zinc-based painting for application in corrosive environments
- Fishery version.
- Foundry version.

